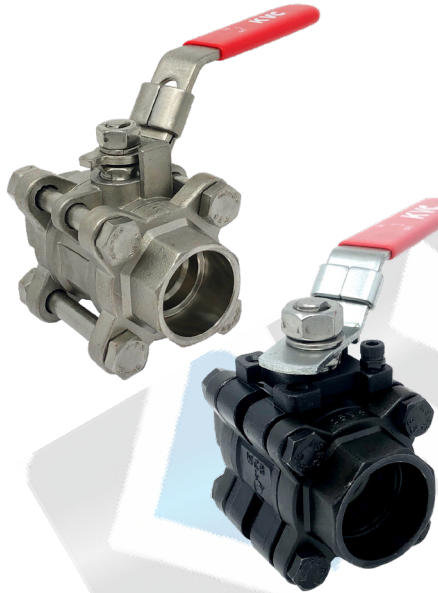
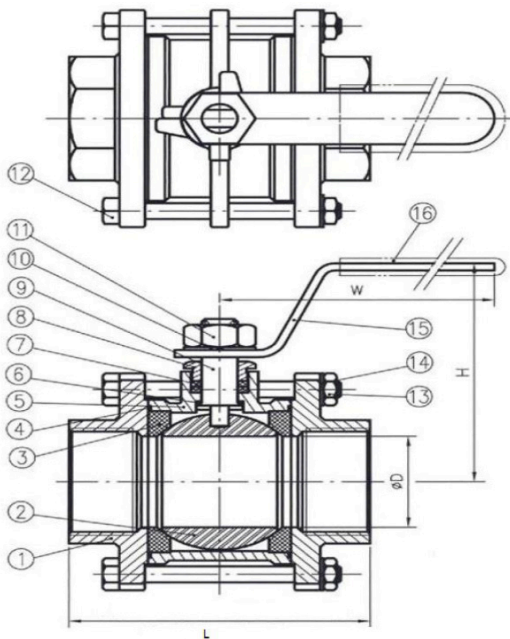


FIG. S-301S / C-301S:
1000 WOG 3-PIECE BALL VALVE FULL PORT SOCKET WELD ENDS

Features:

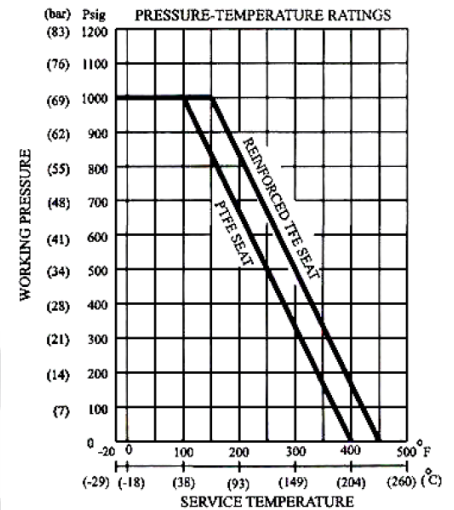
- Three-piece design for fast, economical in-line maintenance
- Adjustable packing gland. Bottom-loaded blow-out proof stem.
- Basic design complied with ANSI B16.34 & EN 12516-1.
- NPT threaded ends complied with ANSI B 1.20.1.
- Rc, Rp & G Threaded ends complied with BS 21/2779, JISB-0203/0202, DIN 259/2999, ISO 228-1, AS1722.1/1722.2 are upon request.
- Socket weld ends complied with ANSI B 16.11 are upon request.
- Tested according to API 598.

Materials List:

No.	Part Name	S-301S	C-301S
1	End cap	ASTM A351-CF8M/316	ASTM A216-WCB
2	Ball	ASTM A351-CF8M/316	ASTM A351-CF8/304
3	Seat	PTFE	PTFE
4	Gasket	PTFE	PTFE
5	Body	ASTM A351-CF8M/316	ASTM A216-WCB
6	Thrust washer	PTFE	PTFE
7	Stem packing	PTFE	PTFE
8	Gland	AISI 304	AISI 304
9	Stem	ASTM A276-316	ASTM A276-304
10	Handle washer	AISI 304	AISI 304
11	Handle nut	AISI 304	AISI 304
12	Bolt	AISI 304/GR. B8	Carbon Steel / GR. B7
13	Nut	AISI 304/GR. 8	Carbon Steel / GR. 2H
14	Bolt washer	AISI 304	Carbon Steel
15	Handle	AISI 304	Zinc Plated Steel
16	Handle cover	PVC	PVC


OPTIONS:

- L: LOCKING DEVICE
- V: VENTED BALL


Dimension:

Size		ø D		L		H		ø E		W		X		Weight	
in	mm	in	mm	in	mm	in	mm	in	mm	in	mm	in	mm	lbs	kgs
¼	8	0.43	11.00	2.56	65	2.05	52.00	0.555	14.20	3.70	94	0.39	10	0.78	0.35
⅜	10	0.49	12.50	2.56	65	2.05	52.00	0.69	17.60	3.70	94	0.39	10	0.82	0.37
½	15	0.59	15.00	2.76	70	2.09	53.00	0.855	21.80	3.70	94	0.51	13	1.17	0.53
¾	20	0.79	20.00	3.15	80	2.22	56.50	1.065	27.20	3.70	94	0.59	15	1.61	0.73
1	25	1.00	25.40	3.54	90	2.58	65.50	1.33	33.90	4.37	111	0.59	15	2.27	1.03
1¼	32	1.26	32.00	4.13	105	2.80	71.00	1.675	42.70	4.37	111	0.59	15	3.59	1.63
1½	40	1.50	38.00	4.72	120	3.50	89.00	1.915	48.80	6.57	167	0.63	16	5.31	2.41
2	50	1.97	50.00	5.28	134	3.84	97.50	2.406	61.20	6.57	167	0.67	17	8.05	3.65
2½	65	2.56	65.00	6.50	165	5.06	128.50	2.906	73.90	9.57	243	0.67	17	16.80	7.62
3	80	3.15	80.00	7.28	185	5.47	139.00	3.535	89.80	9.57	243	0.67	17	23.81	10.80
4	100	3.94	100.00	9.09	231	6.59	167.50	4.545	115.2	10.79	274	0.79	20	46.16	20.94